

Mechanical fixings and storm safety of covering materials for roofs and facades

We can offer you the most versatile clip range for fixing small format covering materials and professional wind uplift safety for roofs and facades in Europe. All FOS products are made available through specialist dealers and industrial partners.

Our quick and easy-to-use roofing tools on www.fos.de will assist you with the topic of storm protection.

FOS ClipCHECK®

With just a few clicks in our new product finder you can determine the perfect clip for your object.

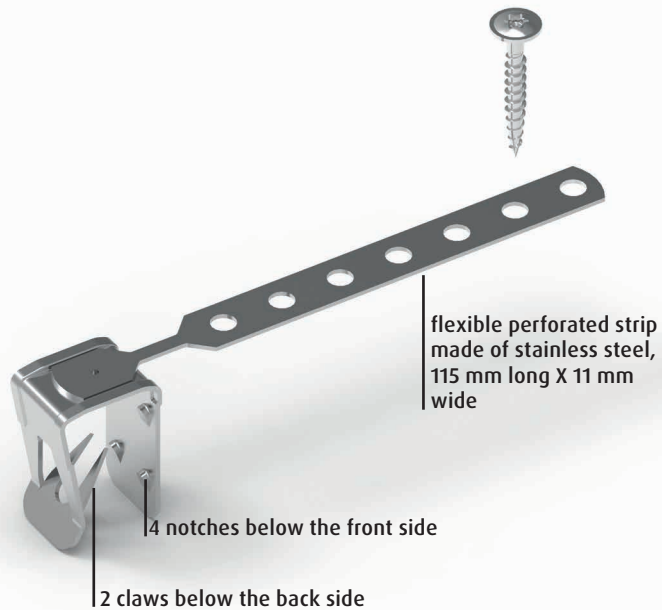
FOS CombiCHECK®

The reverse search provides a list of cover materials you can use with the clips you already have in stock.

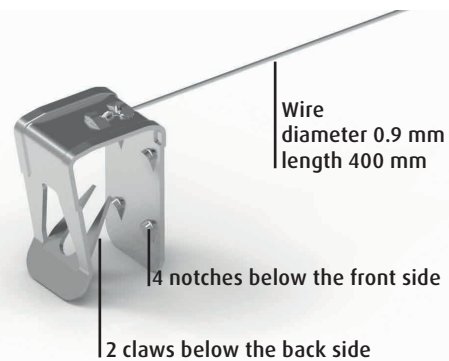
Friedrich Ossenberg-Schule GmbH + Co KG
 Amerikastraße 2
 58675 Hemer

Tel. +49 (0) 2372. 558 99. 0
 Fax +49 (0) 2372. 558 99. 99 90
info@fos.de
www.fos.de

512 Clip with screw for hips and valley



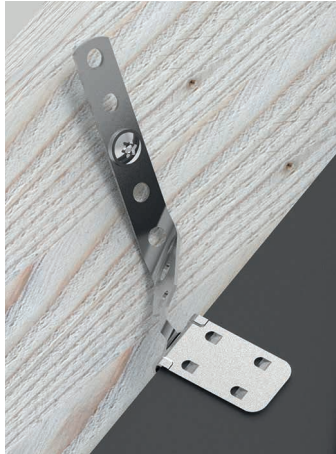
513 Clip with wire for hips and valleys



NEW: The 7-star clips!
 Optimised clip geometry

Hip and valley clips 512 and 513

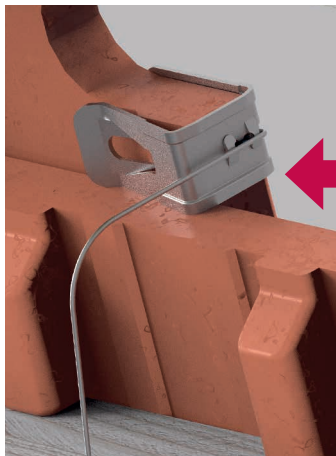
Application samples



512 secures cut tiles on the roof.



513 secures cut tiles on the roof.



“Replacement lug” for beaver tail tiles

Further the 513 can be used as a replacement lug. The 513 is hammered-in on the side so that the tile has a hold on the batten or sub-construction.



Enquiries:

In what range can the 512 and 513 be used?

For the largest clamping range on the market: 7 to 22 mm. Matching with the FOS ClipCHECK® is no longer necessary. By the way: One clip for all areas means a reduction in storage capacity of 50 %.



The 7-star clips!

- ★ **One for all**
Largest clamping range on the market: 7 to 22 mm with one clip.
- ★ **Easy Handling**
About 50 % less storage space!
- ★ **More than strong**
20 % more holding power than comparable clips due to new barbed hook geometry.
- ★ **Simple even without**
Easy to install due to new geometry: no hammer needed for tiles up to 16 mm thickness.
- ★ **Does what you want, where you want**
Unlimited fixing possibilities with the 512-100 thanks to the flexible 115 mm long perforated strip.
- ★ **All inclusive**
512-100 with high-quality stainless steel screw from SPAX®.
- ★ **One of ours**
Developed, manufactured and tested by FOS® in Germany.

 FOS® QUALITÄT MADE IN GERMANY

The advantages of the optimised 512 and 513

Area of application

The 512 and 513 provide a safe and universal solution for securing cut roof tiles in the hip and valley sections of the roof as well as edges and junctions. The clips can be used universally for all roof tiles and provide a strong hold to prevent slipping. With beaver tail style tiles the 513 can also function as a replacement lug.

Reduction in the number of variants

Instead of the three variants previously required of each type, only one variant is now needed which covers the entire range.

Optimised clip shape and assembly

Four notches under the front and two claws on the back provide a 100% secure hold even on uneven surfaces or embossed lettering on the back of the roof tiles. The new claw-geometry provides 20 % more holding force than comparable clips.

The FOS® hip and valley clips are available with bendable perforated strips made of stainless steel and integrated SPAX® screw (512) and with binding wire (513).

They are easy to fit thanks to the new clip geometry (up to 16 mm can be fitted without a hammer). There is no need to drill through cut roof tiles. Therefore shorter installation times at the hip and valley are guaranteed.

Durable FOS® quality

Stainless steel in quality 1.4310 guarantees longevity and durability.